

# distribution enclosures XL<sup>3</sup> 6300



0 211 37

Assembly consisting of:  
 - Roof-base Cat.No 0 211 35  
 - Structural uprights Cat.No 0 211 36  
 - Functional uprights Cat.No 0 211 37  
 - Rear panel Cat.No 0 211 41  
 - Support frame for faceplates Cat.No 0 208 55  
 - Lifting rings Cat.No 0 205 82



0 208 00



0 211 40



0 211 39

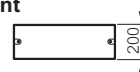
IP 30 - IK 07

Consist of the combination of a "roof-base" assembly, structural uprights, rear and side panels RAL 7035, plinths RAL 7004  
 Height 2200 mm, usable faceplate height 2000 mm

Pack	Cat.Nos	Enclosures modular metal														
1	0 211 36	<b>Structural uprights</b> Fit onto the "roof-base" assembly Take the side and rear panels Set of 4 uprights														
		<b>"Roof-base" for enclosure</b> Fitted with cable entry plates Take the structural uprights														
		<table border="1"> <thead> <tr> <th rowspan="2">Depth (mm)</th> <th colspan="2">Width (mm)</th> </tr> <tr> <th>external</th> <th>usable</th> </tr> </thead> <tbody> <tr> <td>475</td> <td>1425</td> <td>1300</td> </tr> <tr> <td>725</td> <td>1425</td> <td>1300</td> </tr> <tr> <td>975</td> <td>1425</td> <td>1300</td> </tr> </tbody> </table>	Depth (mm)	Width (mm)		external	usable	475	1425	1300	725	1425	1300	975	1425	1300
Depth (mm)	Width (mm)															
	external	usable														
475	1425	1300														
725	1425	1300														
975	1425	1300														
		<b>Side panels</b> Fixed with screws														
1	0 208 57	Width 475 mm														
1	0 208 58	Width 725 mm														
1	0 208 59	Width 975 mm														
		<b>Rear panel</b> Fixed with screws														
1	0 211 41	Width 1300 mm (supplied in two parts)														
		<b>Finishing panels IP 30</b> 1300 x 2000 mm														
		<b>Plinths that can be placed side by side</b>														
		<table border="1"> <thead> <tr> <th>Height (mm)</th> <th>Depth (mm)</th> <th>Width (mm)</th> </tr> </thead> <tbody> <tr> <td>100</td> <td>475</td> <td>1425</td> </tr> <tr> <td>100</td> <td>725</td> <td>1425</td> </tr> <tr> <td>100</td> <td>975</td> <td>1425</td> </tr> </tbody> </table>	Height (mm)	Depth (mm)	Width (mm)	100	475	1425	100	725	1425	100	975	1425		
Height (mm)	Depth (mm)	Width (mm)														
100	475	1425														
100	725	1425														
100	975	1425														

Pack	Cat.Nos	Equipment
1	0 211 37	<b>Functional uprights</b> For fixing mounting equipment (faceplate, rails...) Set of 2 functional uprights
1	0 208 55	<b>Support frame for faceplates</b> Fixed for enclosure width 725 mm or enclosure width 975 mm
1	0 373 12	<b>Isolating supports for busbars 6300 A</b> Supports for 3 bars 200 x 10 mm (per phase) Fixed support
1	0 373 13	Additional support Mounted in addition to fixed support Cat.No 0 373 12 to comply with the distances (depending on the Isc)

Pack	Cat.Nos	Mounting equipment
1	0 205 86	<b>Joining</b> Screws for structural joining
1	0 205 88	Set of 2 L-shaped reinforcement plates
1	0 205 89	Set of 2 flat reinforcement plates
1	0 205 82	<b>Lifting rings</b> Set of 4 Max. load: 480 kg per ring
		<b>Fixing modular devices on rail</b>
		<b>Rail</b> Comprising: an aluminium profile rail and two 2-position fixing brackets Fit onto functional uprights
1	0 211 42	For fixing on XL <sup>3</sup> 6300 functional uprights 36 modules
1	0 208 00	<b>Metal faceplate for rail equipment</b> Height 200 mm

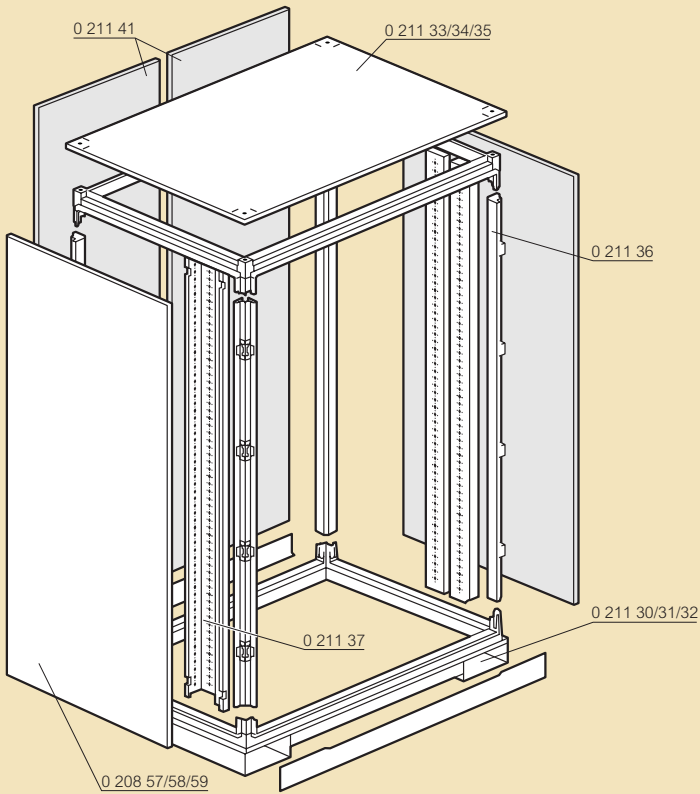


Pack	Cat.Nos	Fixing devices for DMX3 6300
1	0 211 38	<b>Fixing plates</b> For 1 DMX <sup>3</sup> 6300 3P/4P fixed version
1	0 211 40	For 1 DMX <sup>3</sup> 6300 3P/4P draw-out version
1	0 211 39	<b>Metal faceplate</b> For 1 DMX <sup>3</sup> 6300 3P/4P fixed or draw-out version
1	0 211 44	<b>Metal solid faceplates</b> Height 200 mm, width 1300 mm
1	0 211 45	Height 400 mm, width 1300 mm

Pack	Cat.Nos	Forms of separation equipment
1	0 211 46	DMX <sup>3</sup> 6300 compartment kit (form 4b)
1	0 211 47	Partitioning for 6300 A busbars

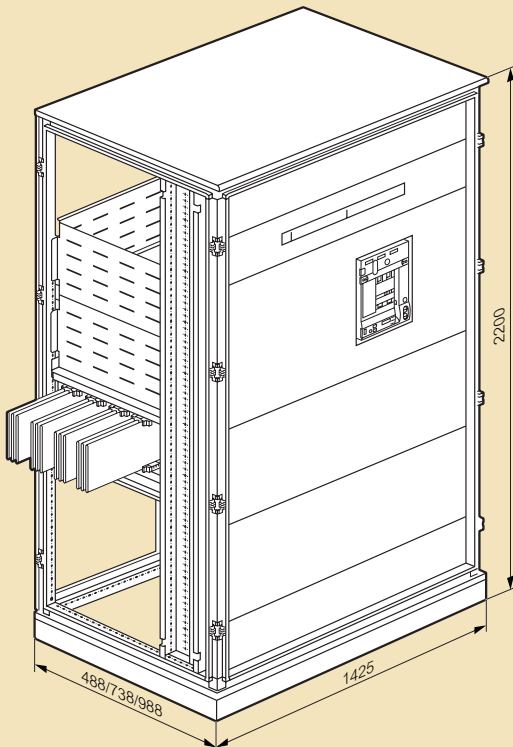
# distribution enclosures XL<sup>3</sup> 6300

## ■ Installation principle

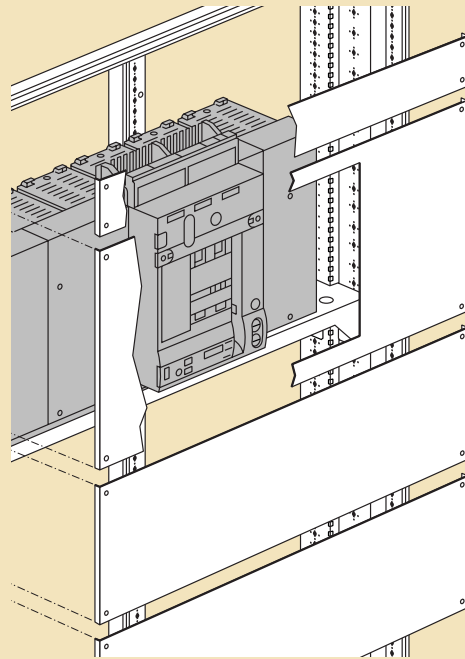


## ■ Dimensions

External dimensions (mm)



## ■ Mounting DXM<sup>3</sup> 6300 fixed version with Cat.No 0 211 38



## ■ Mounting DXM<sup>3</sup> 6300 draw-out version with Cat.No 0 211 40

